

Leica CS10/CS15 & GS Sensors Quick Guide



Version 3.0
English

- when it has to be **right**

Leica
Geosystems

1 Important Information about your Instrument



Read and follow the User Manual on the accompanying USB card before using the product.



Keep for future reference!

Intended use

- Remote control of product.
 - Data communication with external appliances.
 - Recording measurements.
 - Computing with software.
 - Carrying out measurement tasks using various GNSS measuring techniques.
 - Recording GNSS and point related data.
 - Measuring raw data and computing coordinates using carrier phase and code signal from GNSS satellites.
-



The following advice is only valid for power adapter or docking station.



WARNING

The product is not designed for use under wet and severe conditions. If unit becomes wet it may cause you to receive an electric shock.

Precautions:

Use the product only in dry environments, for example in buildings or vehicles. Protect the product against humidity. If the product becomes humid, it must not be used!



The product must not be disposed with household waste.

Conformity to national regulations

For products which do not fall under R&TTE directive:



Hereby, Leica Geosystems AG, declares that the product/s is/are in compliance with the essential requirements and other relevant provisions of the applicable European Directives. The declaration of conformity can be consulted at <http://www.leica-geosystems.com/ce>.

Conformity to national regulations

- FCC Part 15 (applicable in US)
- Hereby, Leica Geosystems AG, declares that the product CS10, CS15, CTR16 is in compliance with the essential requirements and other relevant provisions of Directive 1999/5/EC and other applicable European Directives. The declaration of conformity can be consulted at <http://www.leica-geosystems.com/ce>.



Class 1 equipment according European Directive 1999/5/EC (R&TTE) can be placed on the market and be put into service without restrictions in any EEA member state.

- The conformity for countries with other national regulations not covered by the FCC part 15 or European directive 1999/5/EC has to be approved prior to use and operation.

Conformity to national regulations

- FCC Part 15, 22 and 24 (applicable in US)
- Hereby, Leica Geosystems AG, declares that the product GS08plus, GS12 is in compliance with the essential requirements and other relevant provisions of Directive 1999/5/EC and other applicable European Directives. The declaration of conformity can be consulted at <http://www.leica-geosystems.com/ce>.



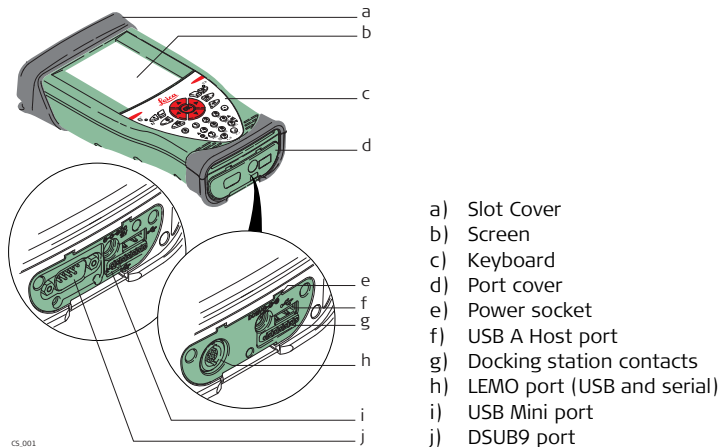
Class 1 equipment according European Directive 1999/5/EC (R&TTE) can be placed on the market and be put into service without restrictions in any EEA member state.

- The conformity for countries with other national regulations not covered by the FCC part 15, 22 and 24 or European directive 1999/5/EC has to be approved prior to use and operation.

2

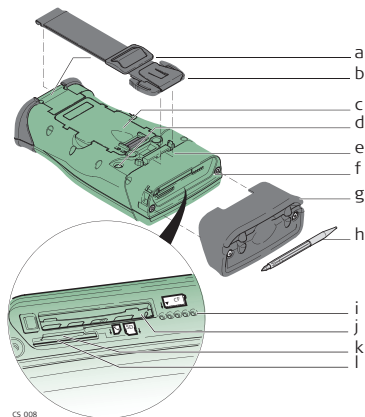
Instrument Components

Upside of CS10



CS_001

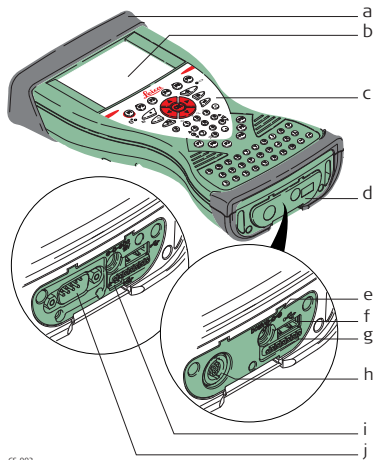
Underside of CS10



CS_008

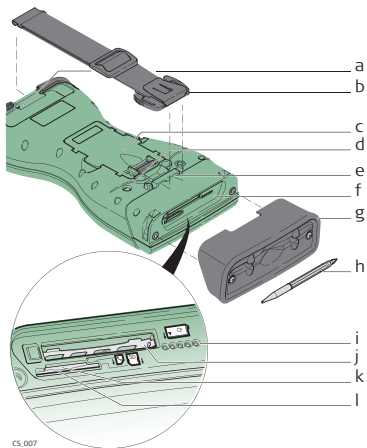
- a) Hand strap bottom clips
- b) Hand strap
- c) Battery compartment
- d) Digital camera
- e) Hand strap top clips
- f) Slots
- g) Slot cover
- h) Stylus
- i) GS05 contacts
- j) CompactFlash card slot
- k) SIM card slot
- l) SD card slot

Upside of CS15



- a) Slot cover
- b) Screen
- c) Keyboard
- d) Port cover
- e) Power socket
- f) USB A Host port
- g) Docking station contacts
- h) LEMO port (USB and serial)
- i) USB Mini port
- j) DSUB9 port

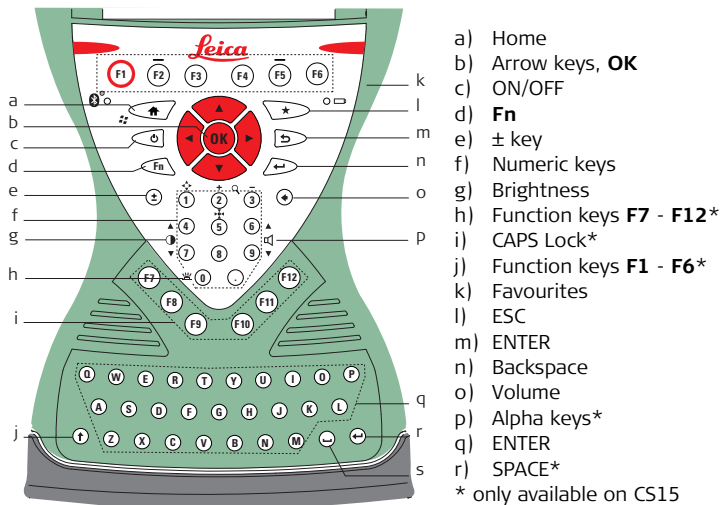
Underside of CS15



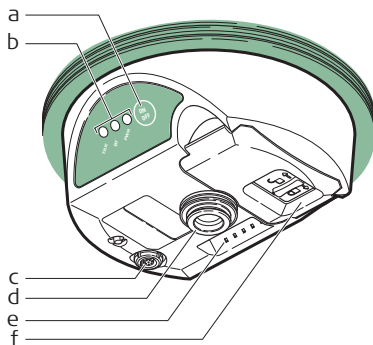
CS_007

- a) Hand strap bottom clips
- b) Hand strap
- c) Battery compartment
- d) Digital camera
- e) Hand strap top clips
- f) Slots
- g) Slot cover
- h) Stylus
- i) GS06 contacts
- j) CompactFlash card slot
- k) SIM card slot
- l) SD card slot

Keyboard



GS08plus/GS12
components



004097_001

- a) ON/OFF button
- b) LEDs
- c) LEMO port including USB port
- d) Mechanical Reference Plane (MRP)
- e) Clip-on contacts (only GS12)
- f) Battery compartment

3

Technical Data

Environmental specifications

Temperature

Type	Operating temperature [°C]	Storage temperature [°C]
CS10/CS15, GS05/GS06, CTR16	-30 to +60	-40 to +80
GS08plus/GS12	-40 to +65 Bluetooth: -30 to +65	-40 to +80

Protection against water, dust and sand

IP67 (IEC 60529)

Humidity

Up to 100 %.

The effects of condensation are to be effectively counteracted by periodically drying out the instrument.

4**Care and Transport**

Care and transport

- Carry the product in its original container or carry the tripod with its legs splayed across your shoulder, to protect the product against shock and vibration.
 - Periodically carry out test measurements and perform the field adjustments indicated in the User Manual, particularly after the product has been dropped, stored for long periods or transported.
-

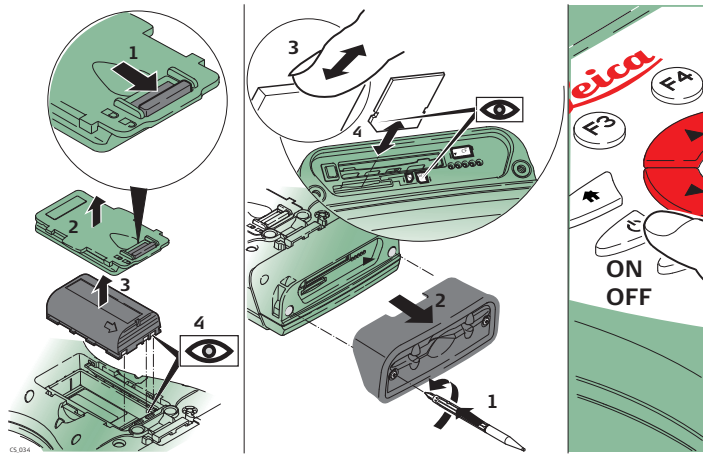
5

Operation

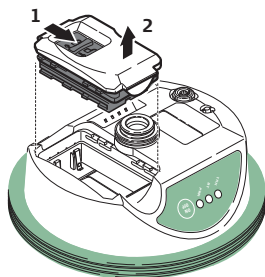


The battery must be charged before using it for the first time.

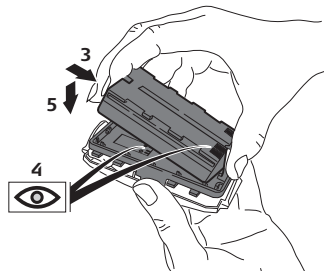
Turning on and off the instrument



Turning on and off the GS08plus/GS12



004096_001



Total Quality Management: Our commitment to total customer satisfaction.



Leica Geosystems AG, Heerbrugg, Switzerland, has been certified as being equipped with a quality system which meets the International Standards of Quality Management and Quality Systems (ISO standard 9001) and Environmental Management Systems (ISO standard 14001).

Ask your local Leica Geosystems dealer/sales representative for more information about our TQM program.

Leica Geosystems AG

Heinrich-Wild-Strasse
CH-9435 Heerbrugg
Switzerland
Phone +41 71 727 31 31

www.leica-geosystems.com

- when it has to be **right**

Leica
Geosystems

793252-3.0.0en

Original text
Printed in Switzerland
© 2013 Leica Geosystems AG, Heerbrugg, Switzerland